

Lift&Drive Data Centre Lifter

Technical data



Technical data

Model	DC15 U42	DC15 U60	DC09 U42	DC09 U52
Article number	191542-10/20	191560-10/20	200942-20	200952-20
Load type	Server or battery			
Max load including tool (kg)	150	150	90	90
Max lifting speed full (mm/s)	62	62	132	132
Platform type	Sliding or fixed		Fixed	
Height in "U"	42	60	42	60
Minimum height in "U"	1			
Weight (kg)	95	122	65	85
Front wheel	Swivel (std) or fixed			
Min turning radius* (mm)	Ø1095	Ø1222	Ø887	Ø1126
Safety regulations	CE 42/2006			

Options

Model	DC15 U42	DC15 U60	DC09 U42	DC09 U52
Sliding platform	o	o	-	-
Changes in height	o	o	o	o
Adjustable top switch	-	220642	-	220643
Sound signal	-	o	-	o
Light indication	-	o	-	o
ESD	o	o	o	o
Transfer rails	220647			
Clamping straps	o	o	-	-
Ladder	o	o	-	-
Raised profile 50mm	220648			

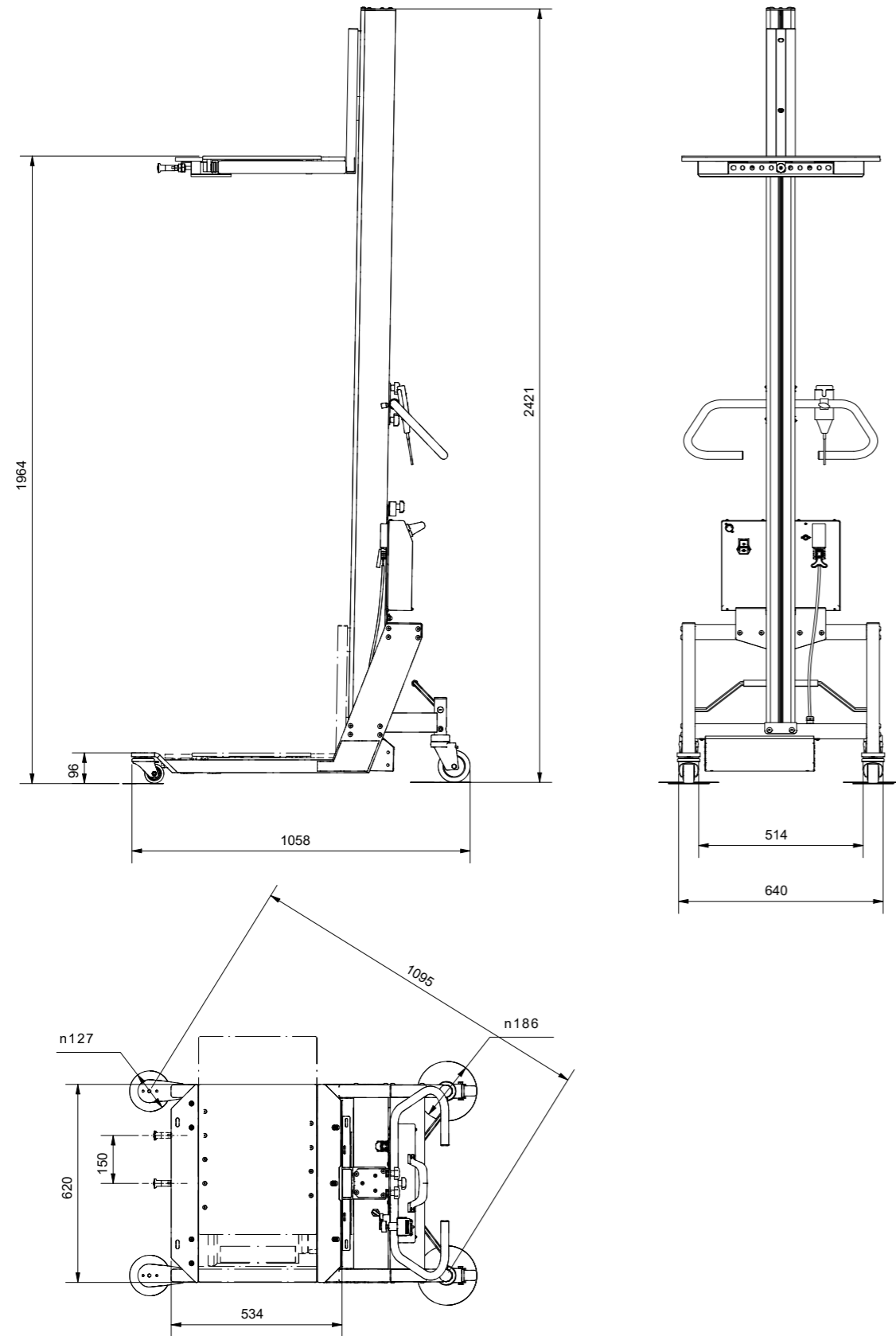
Batteries

Battery	Sealed, valve regulated, lead-acid batteries (VRLA)
Nominal battery voltage	24V DC (12V x 2)
Battery capacity	17Ah/12Ah
Nominal charge voltage	27.6V stand-by. 29V max voltage.
Nominal charge current	1350 mA - 2400 mA
Available plugs with charger**	Plug Type A – North America Plug Type C – Europe Plug Type G – UK Plug Type I – AU / NZ

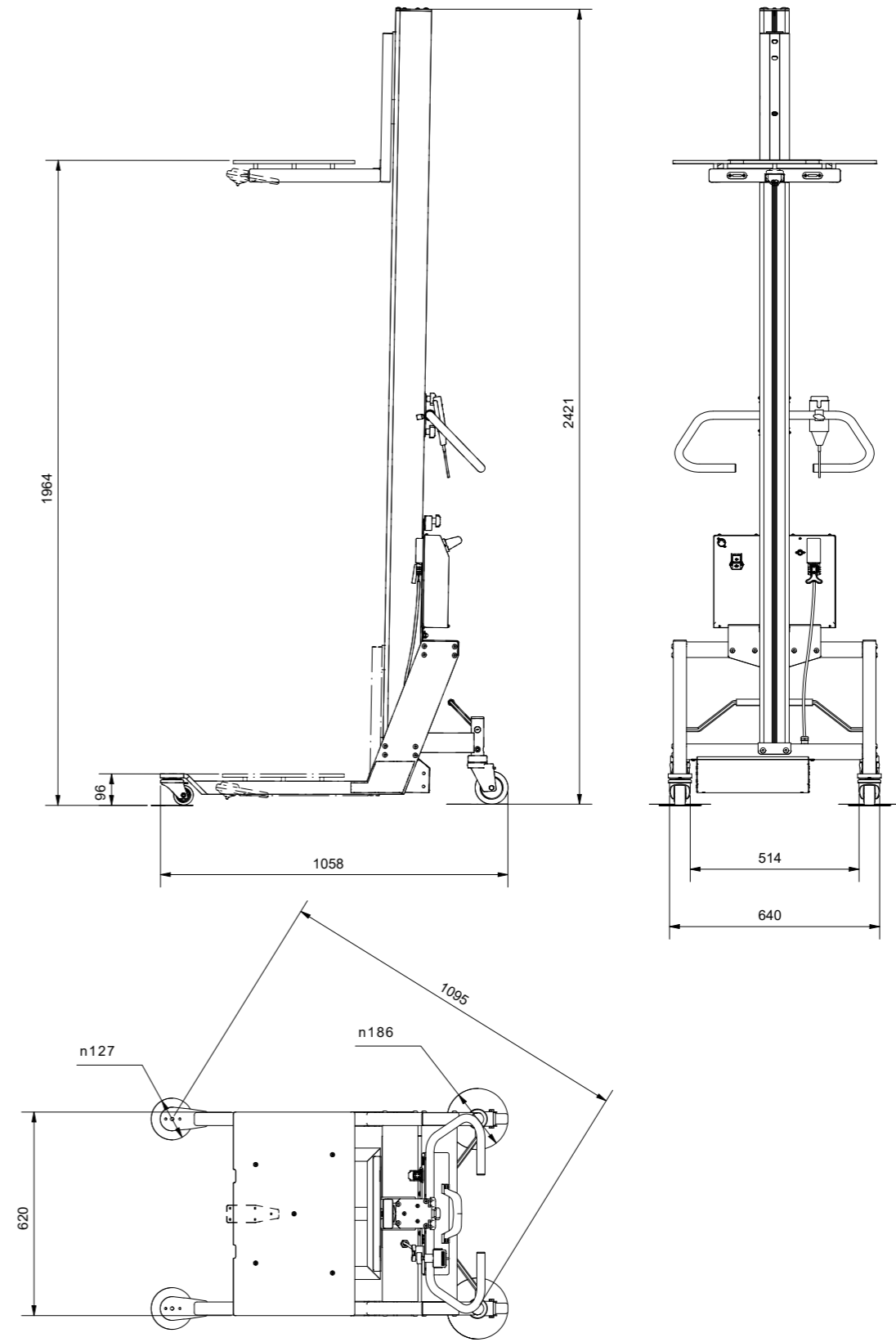
* Central pivotal point calculated as center point between the diagonal swivel wheel pair

** The charger is CSA

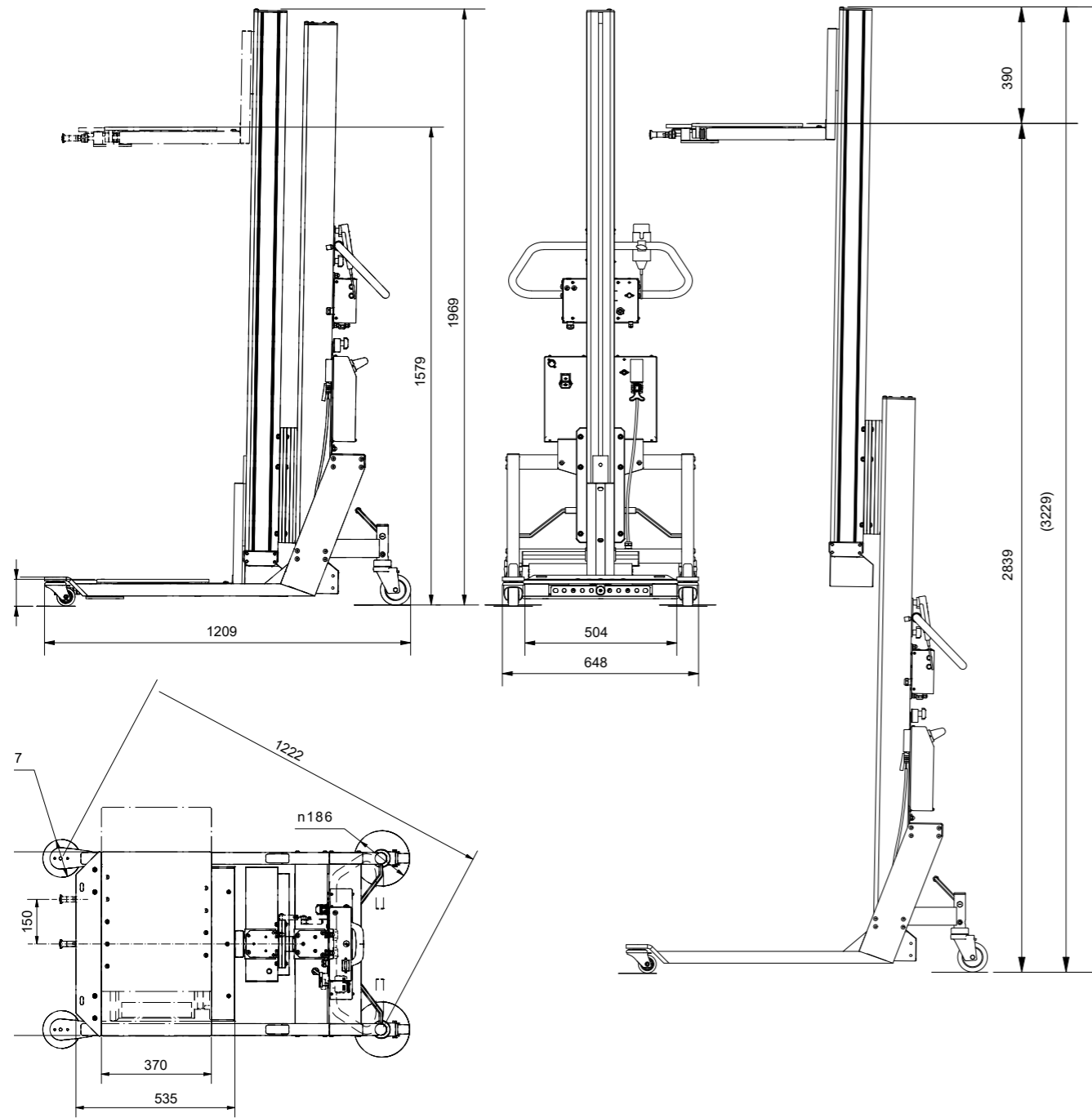
Dimensions DC15 U42-10



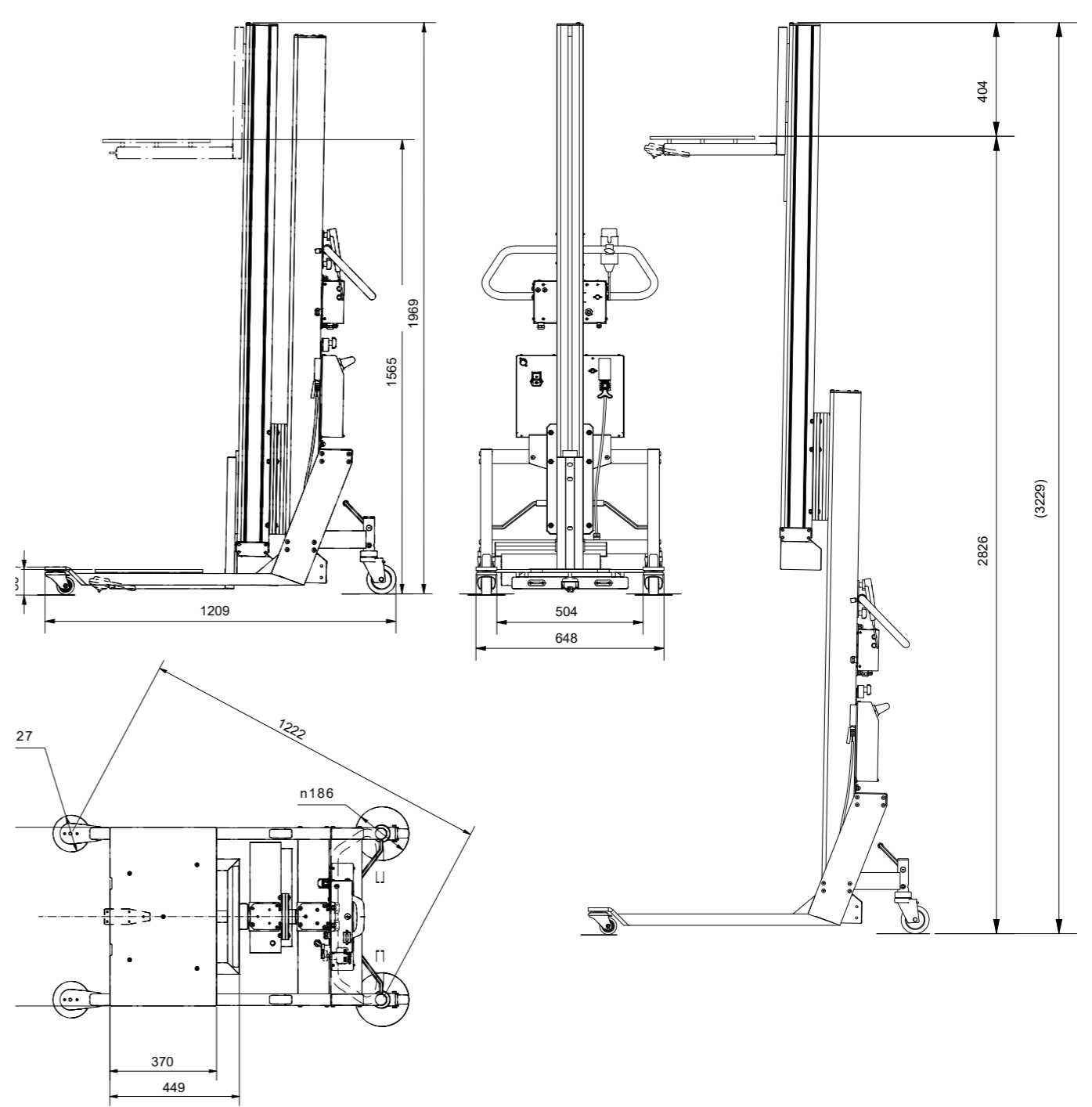
Dimensions DC15 U42-20



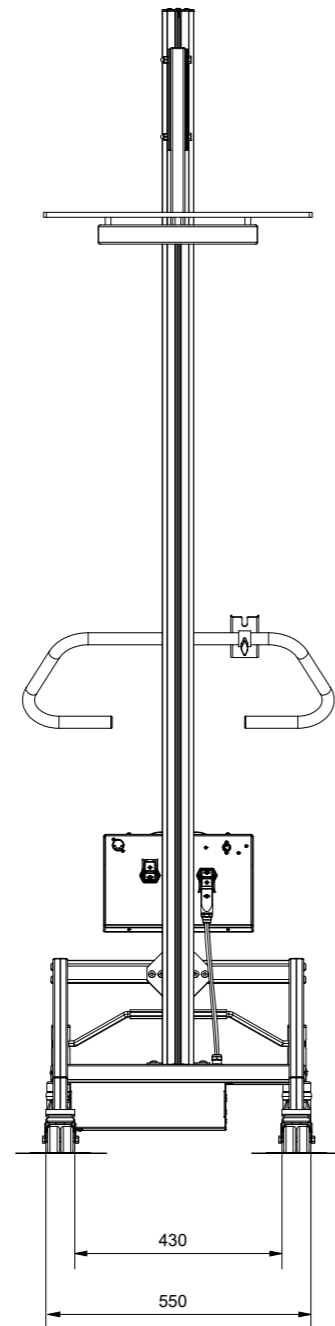
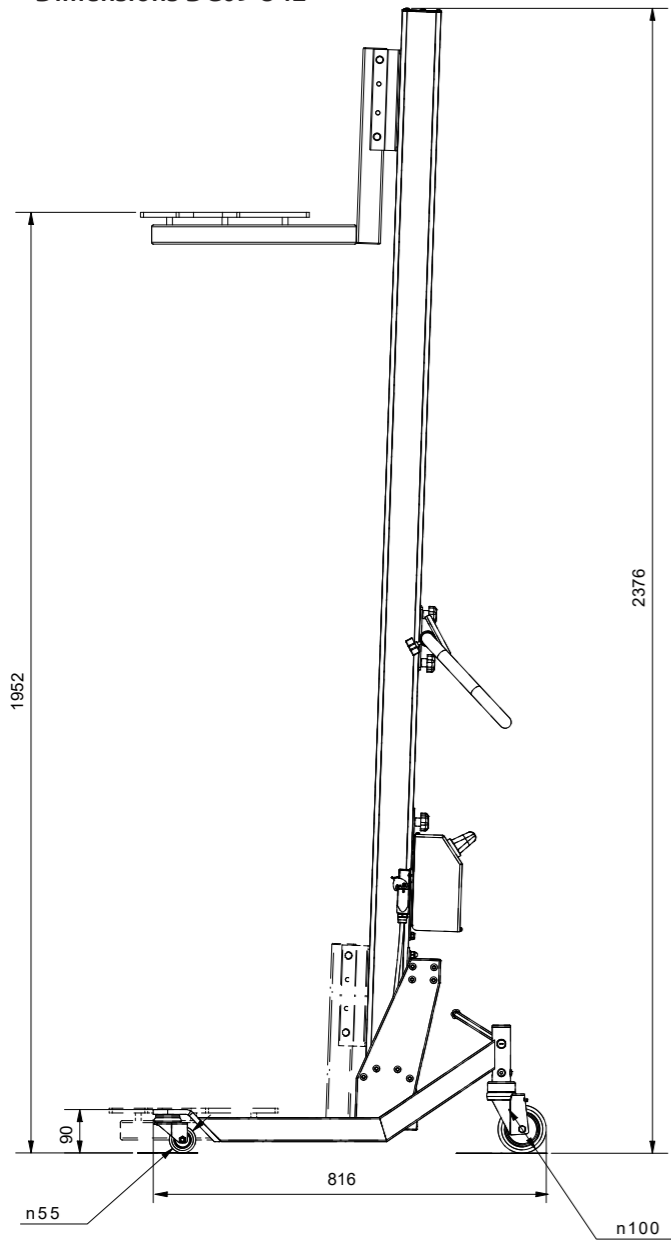
Dimensions DC15 U60-10



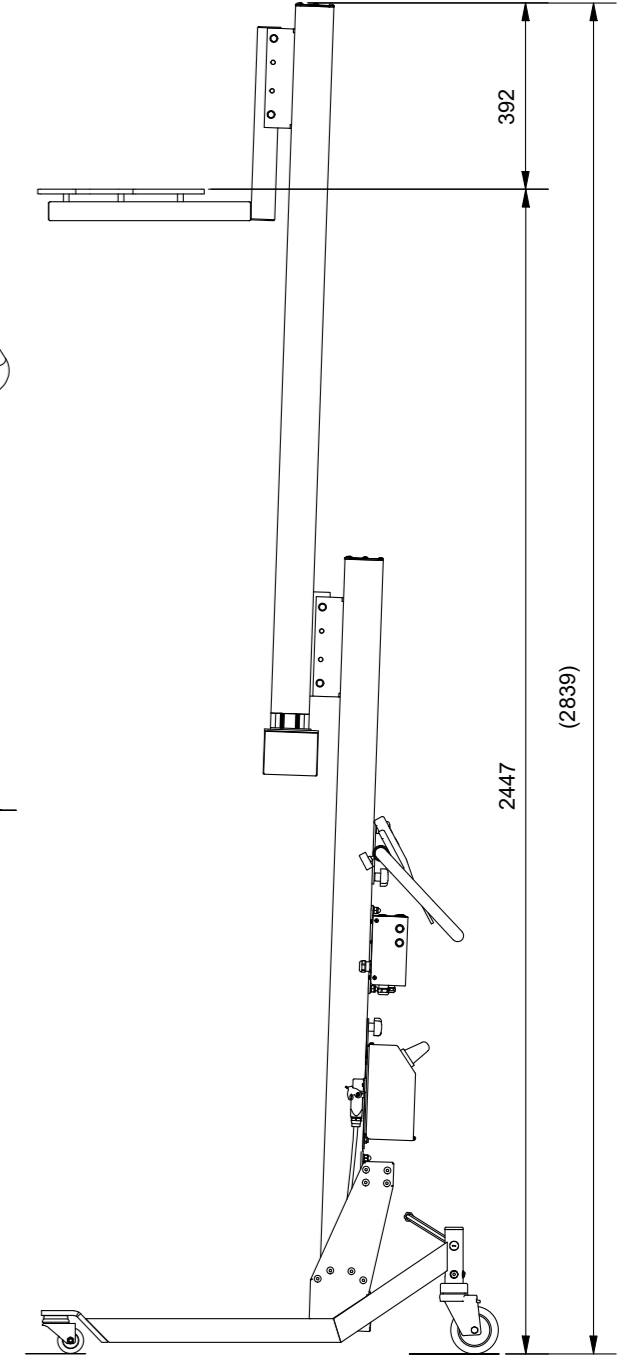
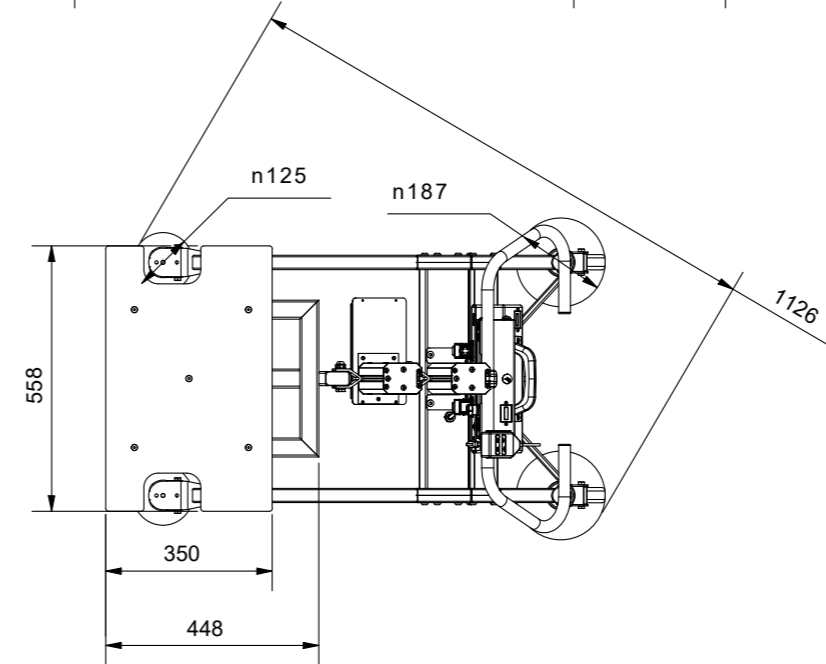
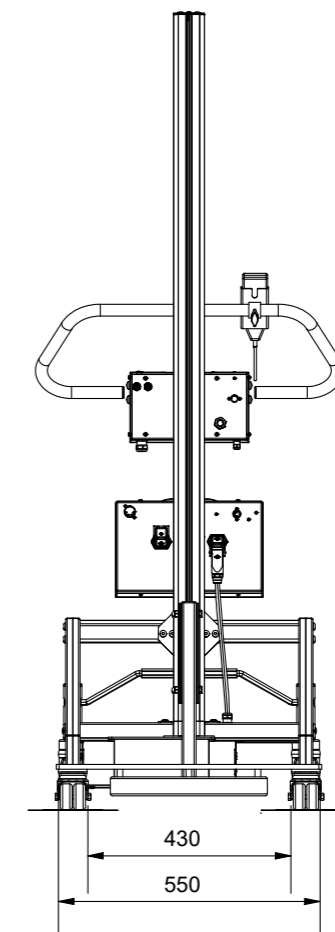
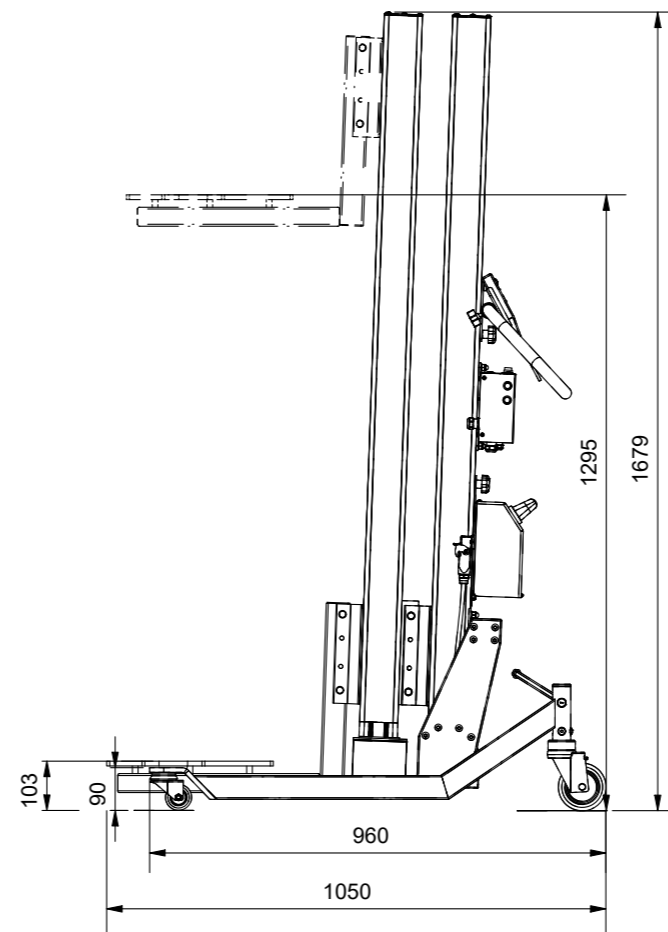
Dimensions DC15 U60-20



Dimensions DC09 U42



Dimensions DC09 U52



Smart moves
For safe work

Disclaimer. We reserve the right to make changes. Illustrations, drawings and data are not always in accordance with the latest version or standard model in production. The models in the pictures may present special equipment or colours.

PRONOMIC AB
Phone: +468 544706 60
sales@pronomic.com | pronomic.com